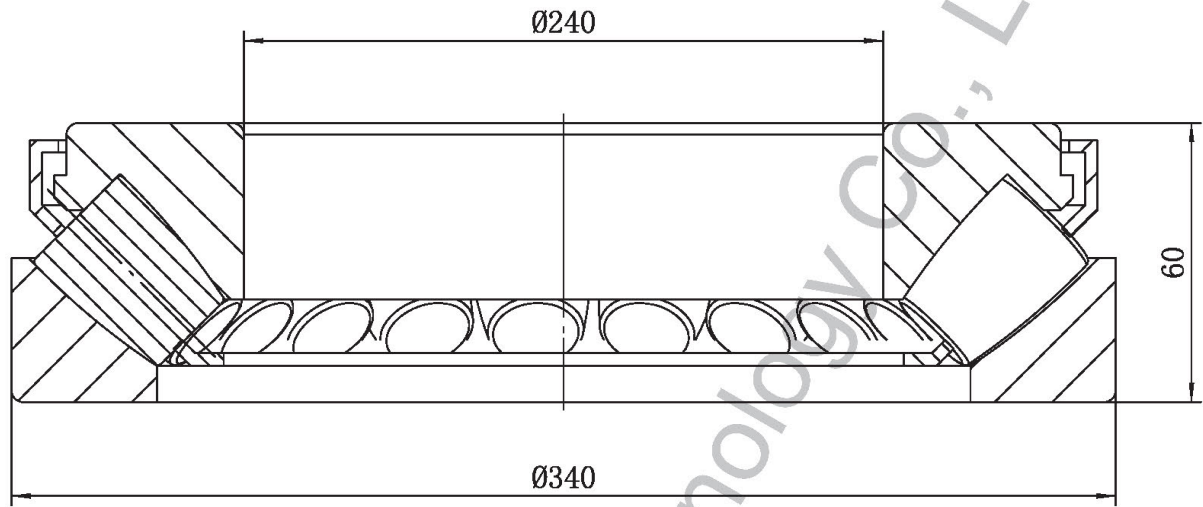


29248E



1 rated load: Cr= 890 KN ; Cor= 4000 KN ;

2 Heat treatment according to the current standards

Remark:

1. Luoyang JCB Bearing Technology Co., Ltd is a technical Inc, specialize in designing and manufacturing thrust bearing, we can design and manufacture all kinds of thrust bearing according to client's requirement.
2. This drawing is reference for user, if you need formal drawing, please contact with us sales@jcb-bearing.com, the official drawing will be submitted after order confirmation.



07	cage		STEEL				
04	roller		steel GCr15-GB/T18254				
02	shaft washer		steel GCr15SiMn-GB/T18254				
01	house washer		steel GCr15SiMn-GB/T18254				Weight (kg)
serial	Name	Qty	Material				17.1
						29248E	
			Thrust spherical roller bearing	Add: No.3 Lianmeng road, Luoyang, Henan, China.			
				Postal: 471003 Website: www.jcb-bearing.com			
				Phone: +86-379-68611678 www.sphericalrollerthrustbearing.com			
				Fax: +86-379-68611679 com			
				E-mail: sales@jcb-bearing.com			
				Luoyang JCB Bearing Technology Co., Ltd			